

If you have questions or comments, contact us.
 Pour toute question ou tout commentaire, nous contacter.
 Si tiene dudas o comentarios, contáctenos.

1-800-4-DEWALT • www.dewalt.com

INSTRUCTIVO DE OPERACIÓN, CENTROS DE SERVICIO Y PÓLIZA DE GARANTÍA. ADVERTENCIA: LEÁSE ESTE INSTRUCTIVO ANTES DE USAR EL PRODUCTO.

INSTRUCTION MANUAL
 GUIDE D'UTILISATION
 MANUAL DE INSTRUCCIONES

DEWALT®

DW331
 VS Orbital Jig Saw
 Scie sauteuse orbitale à vitesse variable
 Sierra de vaivén orbital de velocidad variable

DEWALT Industrial Tool Co., 701 East Joppa Road, Baltimore, MD 21286
 (JAN14) Part No. N241479 DW331 Copyright © 2004, 2012, 2014 DEWALT

The following are trademarks for one or more DEWALT power tools: the yellow and black color scheme; the "D" shaped air intake grill; the array of pyramids on the handgrip; the kit box configuration; and the array of lozenge-shaped humps on the surface of the tool.

Definitions: Safety Guidelines

The definitions below describe the level of severity for each signal word. Please read the manual and pay attention to these symbols.

▲ DANGER: Indicates an imminently hazardous situation which, if not avoided, will result in **death or serious injury**.

▲ WARNING: Indicates a potentially hazardous situation which, if not avoided, could result in **death or serious injury**.

▲ CAUTION: Indicates a potentially hazardous situation which, if not avoided, may result in **minor or moderate injury**.

NOTICE: Indicates a practice **not related to personal injury** which, if not avoided, may result in **property damage**.

IF YOU HAVE ANY QUESTIONS OR COMMENTS ABOUT THIS OR ANY DEWALT TOOL, CALL US TOLL FREE AT: 1-800-4-DEWALT (1-800-433-9258).



WARNING: To reduce the risk of injury, read the instruction manual.

General Power Tool Safety Warnings

▲ WARNING! Read all safety warnings and all instructions. Failure to follow the warnings and instructions may result in electric shock, fire and/or serious injury.

SAVE ALL WARNINGS AND INSTRUCTIONS FOR FUTURE REFERENCE

The term "power tool" in the warnings refers to your mains-operated (corded) power tool or battery-operated (cordless) power tool.

1) WORK AREA SAFETY

- Keep work area clean and well lit.** Cluttered or dark areas invite accidents.
- Do not operate power tools in explosive atmospheres, such as in the presence of flammable liquids, gases or dust.** Power tools create sparks which may ignite the dust or fumes.
- Keep children and bystanders away while operating a power tool.** Distractions can cause you to lose control.

2) ELECTRICAL SAFETY

- Power tool plugs must match the outlet. Never modify the plug in any way. Do not use any adapter plugs with earthed (grounded) power tools.** Unmodified plugs and matching outlets will reduce risk of electric shock.
- Avoid body contact with earthed or grounded surfaces such as pipes, radiators, ranges and refrigerators.** There is an increased risk of electric shock if your body is earthed or grounded.
- Do not expose power tools to rain or wet conditions.** Water entering a power tool will increase the risk of electric shock.
- Do not abuse the cord. Never use the cord for carrying, pulling or unplugging the power tool. Keep cord away from heat, oil, sharp edges or moving parts.** Damaged or entangled cords increase the risk of electric shock.
- When operating a power tool outdoors, use an extension cord suitable for outdoor use.** Use of a cord suitable for outdoor use reduces the risk of electric shock.
- If operating a power tool in a damp location is unavoidable, use a ground fault circuit interrupter (GFCI) protected supply.** Use of a GFCI reduces the risk of electric shock.

3) PERSONAL SAFETY

- Stay alert, watch what you are doing and use common sense when operating a power tool. Do not use a power tool while you are tired or under the influence of drugs, alcohol or medication.** A moment of inattention while operating power tools may result in serious personal injury.

- Use personal protective equipment. Always wear eye protection.** Protective equipment such as dust mask, non-skid safety shoes, hard hat, or hearing protection used for appropriate conditions will reduce personal injuries.
- Prevent unintentional starting. Ensure the switch is in the off position before connecting to power source and/or battery pack, picking up or carrying the tool.** Carrying power tools with your finger on the switch or energizing power tools that have the switch on invites accidents.
- Remove any adjusting key or wrench before turning the power tool on.** A wrench or a key left attached to a rotating part of the power tool may result in personal injury.
- Do not overreach. Keep proper footing and balance at all times.** This enables better control of the power tool in unexpected situations.
- Dress properly. Do not wear loose clothing or jewelry. Keep your hair, clothing and gloves away from moving parts.** Loose clothes, jewelry or long hair can be caught in moving parts.
- If devices are provided for the connection of dust extraction and collection facilities, ensure these are connected and properly used.** Use of dust collection can reduce dust-related hazards.

4) POWER TOOL USE AND CARE

- Do not force the power tool. Use the correct power tool for your application.** The correct power tool will do the job better and safer at the rate for which it was designed.
- Do not use the power tool if the switch does not turn it on and off.** Any power tool that cannot be controlled with the switch is dangerous and must be repaired.
- Disconnect the plug from the power source and/or the battery pack from the power tool before making any adjustments, changing accessories, or storing power tools.** Such preventive safety measures reduce the risk of starting the power tool accidentally.
- Store idle power tools out of the reach of children and do not allow persons unfamiliar with the power tool or these instructions to operate the power tool.** Power tools are dangerous in the hands of untrained users.
- Maintain power tools. Check for misalignment or binding of moving parts, breakage of parts and any other condition that may affect the power tool's operation. If damaged, have the power tool repaired before use.** Many accidents are caused by poorly maintained power tools.
- Keep cutting tools sharp and clean.** Properly maintained cutting tools with sharp cutting edges are less likely to bind and are easier to control.
- Use the power tool, accessories and tool bits, etc. in accordance with these instructions, taking into account the working conditions and the work to be performed.** Use of the power tool for operations different from those intended could result in a hazardous situation.

5) SERVICE

- Have your power tool serviced by a qualified repair person using only identical replacement parts.** This will ensure that the safety of the power tool is maintained.

Additional Specific Safety Instructions for Jig Saws

- Hold power tool by insulated gripping surfaces, when performing an operation where the cutting accessory may contact hidden wiring or its own cord.** Cutting accessory contacting a "live" wire may make exposed metal parts of the power tool "live" and could give the operator an electric shock.
- Use clamps or another practical way to secure and support the workpiece to a stable platform.** Holding the work by hand or against your body leaves it unstable and may lead to loss of control.
- Allow the motor to come to a complete stop before withdrawing the blade from the kerf (the slot created by cutting).** A moving blade may impact the workpiece causing a broken blade, workpiece damage or loss of control and possible personal injury.
- Keep handles dry, clean, free from oil and grease.** This will enable better control of the tool.
- Keep blades sharp.** Dull blades may cause the saw to swerve or stall under pressure.
- Clean out your tool often, especially after heavy use.** Dust and grit containing metal particles often accumulate on interior surfaces and could create an electric shock hazard.
- Do not operate this tool for long periods of time.** Vibration caused by the operating action of this tool may cause permanent injury to fingers, hands, and arms. Use gloves to provide extra cushion, take frequent rest periods, and limit daily time of use.
- Air vents often cover moving parts and should be avoided.** Loose clothes, jewelry or long hair can be caught in moving parts.
- An extension cord must have adequate wire size (AWG or American Wire Gauge) for safety.** The smaller the gauge number of the wire, the greater the capacity of the cable, that is 16 gauge has more capacity than 18 gauge. An undersized cord will cause a drop in line voltage resulting in loss of power and overheating. When using more than one extension to make up the total length, be sure each individual extension contains at least the minimum wire size. The following table shows the correct size to use depending on cord length and nameplate ampere rating. In doubt, use the next heavier gauge. The smaller the gauge number, the heavier the cord.

		Minimum Gauge for Cord Sets			
		Volts	Total Length of Cord in Feet (meters)		
Ampere Rating	120V	25 (7.6)	50 (15.2)	100 (30.5)	150 (45.7)
	240V	50 (15.2)	100 (30.5)	200 (61.0)	300 (91.4)
More Than	Not More Than	AWG			
0	6	18	16	16	14
6	10	18	16	14	12
10	12	16	16	14	12
12	16	14	12	Not Recommended	

▲ WARNING: ALWAYS use safety glasses. Everyday eyeglasses are NOT safety glasses. Also use face or dust mask if cutting operation is dusty. ALWAYS WEAR CERTIFIED SAFETY EQUIPMENT:

- ANSI Z87.1 eye protection (CAN/CSA Z94.3),
- ANSI S12.6 (S3.19) hearing protection,
- NIOSH/OSHA/MSHA respiratory protection.

▲ WARNING: Some dust created by power sanding, sawing, grinding, drilling, and other construction activities contains chemicals known to the State of California to cause cancer, birth defects or other reproductive harm. Some examples of these chemicals are:

- lead from lead-based paints,
- crystalline silica from bricks and cement and other masonry products, and
- arsenic and chromium from chemically-treated lumber.

Your risk from these exposures varies, depending on how often you do this type of work. To reduce your exposure to these chemicals: work in a well ventilated area, and work with approved safety equipment, such as those dust masks that are specially designed to filter out microscopic particles.

- Avoid prolonged contact with dust from power sanding, sawing, grinding, drilling, and other construction activities. Wear protective clothing and wash exposed areas with soap and water.** Allowing dust to get into your mouth, eyes, or lay on the skin may promote absorption of harmful chemicals.

▲ WARNING: Use of this tool can generate and/or disperse dust, which may cause serious and permanent respiratory or other injury. Always use NIOSH/OSHA approved respiratory protection appropriate for the dust exposure. Direct particles away from face and body.

▲ WARNING: Always wear proper personal hearing protection that conforms to ANSI S12.6 (S3.19) during use. Under some conditions and duration of use, noise from this product may contribute to hearing loss.

- The label on your tool may include the following symbols. The symbols and their definitions are as follows:

V.....volts	A.....amperes
Hz.....hertz	W.....watts
minminutes	~ or AC.....alternating current
== or DC....direct current	⎓ or AC/DC.....alternating or direct current
Ⓛ.....Class I Construction (grounded)	n ₀no load speed
Ⓜ.....Class II Construction (double insulated)	n.....rated speed
	Ⓧ.....earthing terminal
	▲.....safety alert symbol

FIG. 1

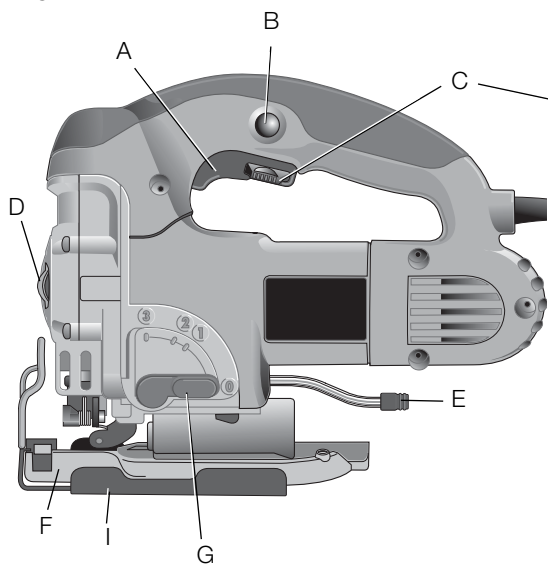


FIG. 2

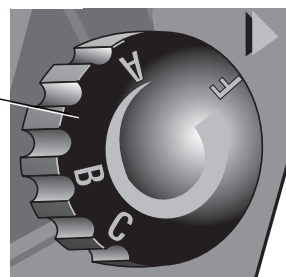


FIG. 3

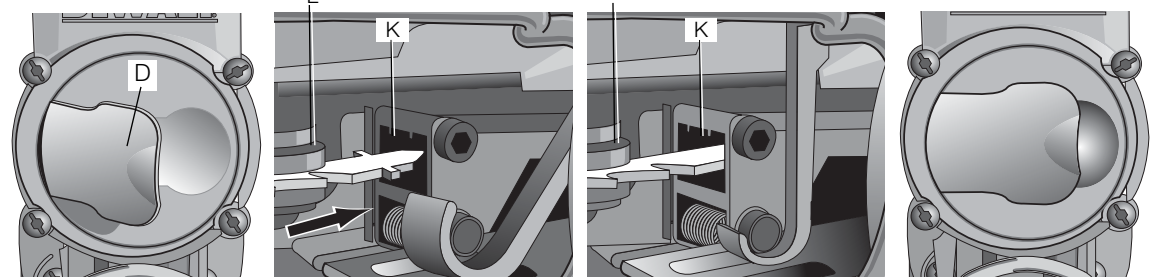


FIG. 4

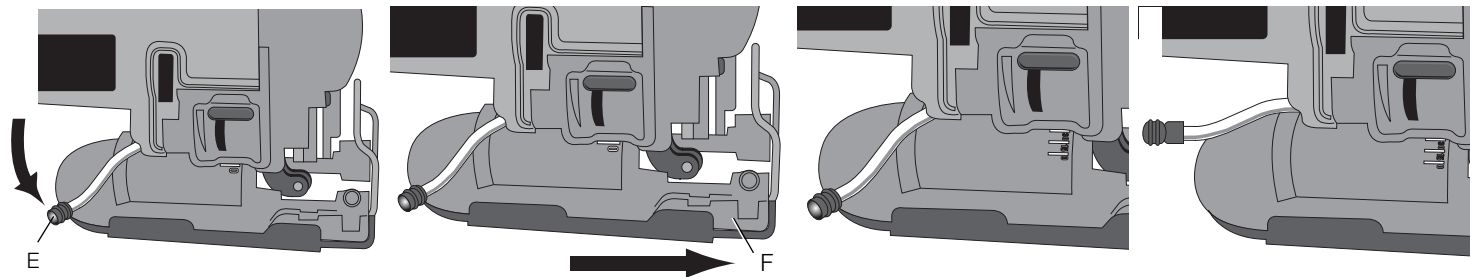


FIG. 5

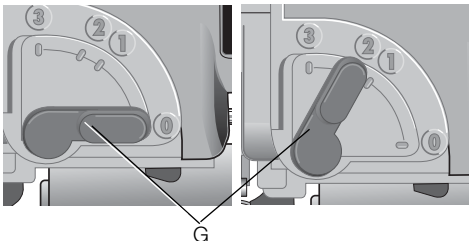


FIG. 6

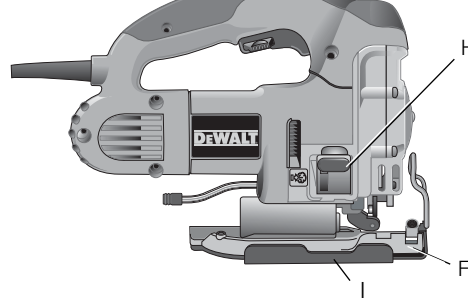


FIG. 7

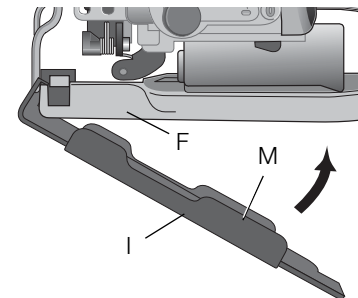
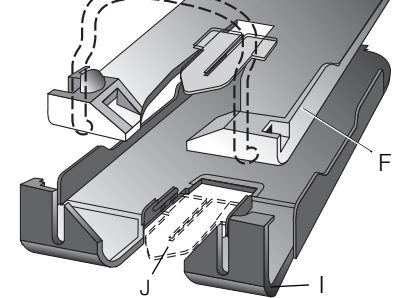


FIG. 8



.../minper minute
 IPM.....impacts per minute
 SPM.....strokes per minute

BPM.....beats per minute
 RPM.....revolutions per minute
 sfpsurface feet per minute

SAVE THESE INSTRUCTIONS FOR FUTURE USE

Motor

Be sure your power supply agrees with the nameplate marking. Voltage decrease of more than 10% will cause loss of power and overheating. Volts 50/60 Hz or "AC only" means your tool must be operated only with alternating current and **never** with direct current. Volts DC-60 Hz or AC/DC means your tool may be operated with either alternating or direct current. DEWALT tools are factory tested; if this tool does not operate, check power supply.

COMPONENTS

- | | |
|-----------------------|-------------------------|
| A. Trigger switch | F. Shoe |
| B. Lock button | G. Cutting action lever |
| C. Speed control dial | H. Dust blower control |
| D. Blade lever | I. No-mar shoe cover |
| E. Bevel lever | J. Anti-splinter insert |

Trigger Switch (Fig. 1)

To start the jig saw, squeeze the trigger switch (A).

To slow and stop the jig saw, release the trigger switch.

For continuous operation, squeeze the trigger switch then depress the lock button (B). Once lock button is depressed, release the trigger switch.

To release from continuous operation, squeeze the trigger and the lock will disengage.

Variable Speed Switch (Fig. 1, 2)

The variable speed is controlled in two ways: speed control dial (C) and the trigger switch (A).

SPEED CONTROL DIAL

By rotating the speed control dial (C) in either direction, the maximum speed or strokes-per-minute at which the blade will cut is adjusted. The speed control dial adjusts the speed that the blade will cut from approximately 500 SPM on speed A to approximately 3,100 SPM on speed F.

TRIGGER SWITCH

As the trigger switch is pressed in, the strokes-per-minute continue to increase, but not to exceed the maximum setting on the speed control dial. As the trigger is released, the blade strokes-per-minute reduce.

ASSEMBLY AND ADJUSTMENTS

⚠ WARNING: To reduce the risk of injury, turn unit off and disconnect it from power source before installing and removing accessories, before adjusting or when making repairs. An accidental start-up can cause injury.

Blade Installation and Removal (Fig. 3)

⚠ CAUTION: Turn off and unplug the tool before making any adjustments or removing/installing attachments or accessories.

TO INSTALL A BLADE

NOTE: This jig saw uses only T-shank jig saw blades.

NOTE: The DT2074 flush cutting blade is for use with DEWALT DW331 and DC330 jig saws only.

NOTE: When installing flush cutting blades (DT2074), the anti-splinter insert must be removed and the shoe must be in the 0° positive stop position.

1. Lift the keyless blade lever (D).
2. Insert the T-shank blade into the clamp mechanism (K) while guiding the back of the blade into the groove of the guide rollers (L).
3. The T-shank should be completely inside the clamp mechanism as shown in Figure 3.
4. Release the keyless blade lever.

TO REMOVE A BLADE

1. Lift the keyless blade lever (D).
2. With a slight shake the blade will drop out.

⚠ CAUTION: Do not touch used blades, they may be hot. Personal injury may result.

Beveling the Shoe (Fig. 4)

To unlock the shoe, pull the keyless bevel lever (E) to the side.

To lock the shoe, push the keyless bevel lever back under the body of the jig saw.

TO BEVEL THE SHOE

1. Unlock the shoe.
2. Slide the shoe (F) forward to release it from the 0° positive stop position.
3. The shoe can be beveled to the left or to the right and has detents at 15°, 30° and 45°. The shoe can be manually stopped at any degree between 0° and 45°.
4. Once the desired bevel angle is achieved, lock the shoe into place.

TO SET SHOE BACK TO 0°

1. Unlock the shoe.
2. Rotate the shoe back to 0°.
3. Slide the shoe back into the 0° positive stop position.
4. Lock the shoe.

FIG. 9

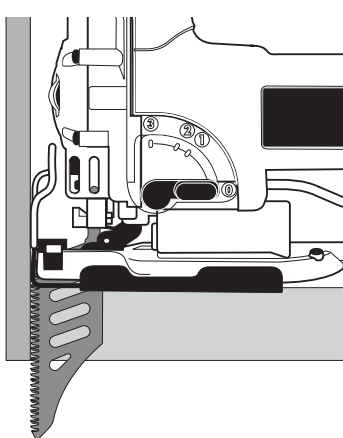


FIG. 10

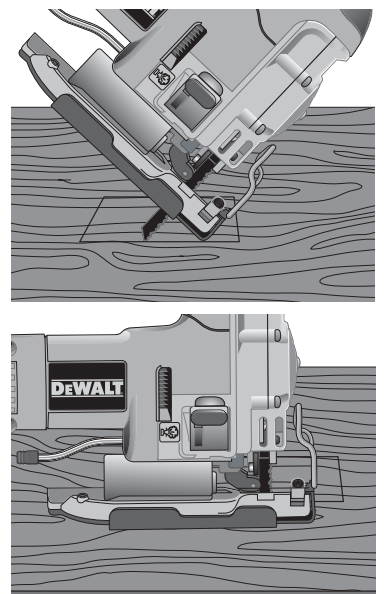
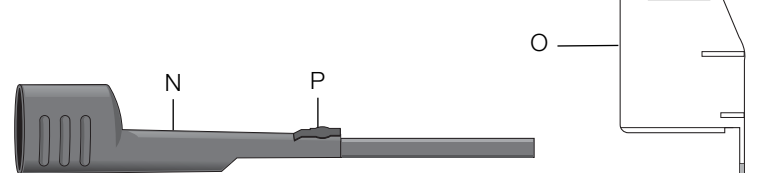


FIG. 11



Cutting Action – Orbital or Straight (Fig. 5)

⚠ CAUTION: Check that the tool is not locked ON before connecting it to a power supply. If the trigger switch is locked ON when the tool is connected to the power supply, it will start immediately. Damage to your tool or personal injury may result.

This jig saw is equipped with four cutting actions, three orbital and one straight. Orbital action has a more aggressive blade motion and is designed for cutting in soft materials like wood or plastic. Orbital action provides a faster cut, but with a less smooth cut across the material. In orbital action, the blade moves forward during the cutting stroke in addition to the up and down motion.

NOTE: Metal or hardwoods should never be cut in orbital action.

To adjust the cutting action, move the cutting action lever (G) between the four cutting positions: 0, 1, 2, and 3. Position 0 is straight cutting. Positions 1, 2, and 3 are orbital cutting. The aggressiveness of the cut increase as the lever is adjusted from one to three, with three being the most aggressive cut.

Dust Blower (Fig. 6)

The dust blower helps clear the cutting area of debris created from the blade.

NOTE: When cutting metal, turn the dust blower off so cutting fluids are not blown away from the blade.

To turn the dust blower on, slide the dust blower control (H) all the way to the top.

To turn the dust blower off, slide the dust blower control all the way to the bottom.

Removable No-Mar Shoe Cover (Fig. 7)

The no-mar shoe cover (I) should be used when cutting surfaces that scratch easily, such as laminate, veneer, or paint.

To attach no-mar shoe cover, place the front of the aluminum shoe (F) into the front of the no-mar shoe cover (I) and lower the jig saw. The no-mar shoe will click securely onto the rear of aluminum shoe.

To remove no-mar shoe cover, grasp the no-mar shoe cover from the bottom; holding onto the two rear tabs (M) remove the no-mar shoe cover.

Anti-Splinter Insert (Fig. 8)

NOTE: Do not use the anti-splinter insert with the flush cutting blade.

The anti-splinter insert (J) should be used when trying to minimize tear-out, especially when cutting veneer, laminate, or finished surfaces, such as paint. The anti-splinter insert should be installed into the no-mar shoe cover (I). If the no-mar cover is not used, install anti-splinter insert into shoe (F).

OPERATION

⚠ WARNING: To reduce the risk of injury, turn unit off and disconnect it from power source before installing and removing accessories, before adjusting or when making repairs. An accidental start-up can cause injury.

Cutting

⚠ WARNING: The jig saw should not be operated with the shoe removed or serious personal injury may result.

POCKET CUTTING (FIG. 10)

A pocket cut is an easy method of making an inside cut. The saw can be inserted directly into a panel or board without first drilling a lead or pilot hole. In pocket cutting, measure the surface to be cut and mark clearly with a pencil. Next tip the saw forward until the front end of the shoe sits firmly on the work surface and the blade clears the work through its full stroke. Switch the tool on and allow it to attain maximum speed. Grip the saw firmly and lower the back edge of tool slowly until the blade reaches its complete depth. Hold the shoe flat against the wood and begin cutting. Do not remove blade from cut while it is still moving. Blade must come to a complete stop.

FLUSH CUTTING (FIG. 9)

A flush cut is necessary when finishing off cuts up to a wall or an obstacle, such as back-splash. One of the easiest ways to accomplish the flush cut is to use a flush cutting blade (DT2074). The flush cutting blade provides the reach necessary to cut right up to the front edge of the jig saw shoe. Remove the anti-splinter insert and return the shoe to the 0° positive stop position before installing and using the flush cutting blade. For the best cut quality the flush cutting blade should be used in the 0 or 1 orbital position. The flush cutting blade should not be used to start the cut because the flush cutting blade prevents the shoe from being supported by the work surface. Use wood cutting practices explained below.

WOOD CUTTING

Support the workpiece adequately at all times. Use the higher speed setting for cutting wood. Do not attempt to turn the tool on when blade is against material to be cut. This could stall the motor. Place the front of shoe on the material to be cut and hold the jig saw shoe firmly against the wood while cutting. Don't force the tool; let the blade cut at its own speed. When the cut is complete, turn the jig saw off. Let blade come to a complete stop and then lay the saw aside before loosening the work.

METAL CUTTING

In cutting thin gauge sheet metals, it is best to clamp wood to the bottom of sheet metal; this will insure a clean cut without the risk of vibration or tearing of metal. Always remember to use a finer blade for ferrous metals (for those that have a high iron content); and use a coarser blade for non-ferrous metals (those that do not have an iron content). Use a high speed setting for cutting soft metals (aluminum, copper, brass, mild steel, galvanized pipe, conduit sheet metal, etc.). Use lower speed to cut plastics, tile, laminate, hard metals, and cast iron.

MAINTENANCE

▲ WARNING: To reduce the risk of injury, turn unit off and disconnect it from power source before installing and removing accessories, before adjusting or when making repairs. An accidental start-up can cause injury.

Cleaning

▲ WARNING: Blow dirt and dust out of all air vents with clean, dry air at least once a week. To minimize the risk of eye injury, always wear ANSI Z87.1 approved eye protection when performing this.

▲ WARNING: Never use solvents or other harsh chemicals for cleaning the non-metallic parts of the tool. These chemicals may weaken the plastic materials used in these parts. Use a cloth dampened only with water and mild soap. Never let any liquid get inside the tool; never immerse any part of the tool into a liquid.

Lubrication

NOTE: NEVER spray or in any other way apply lubricants or cleaning solvents inside the tool. This can seriously affect the life and performance of the tool.

DEWALT tools are properly lubricated at the factory and are ready for use. However, it is recommended that, once a year, you take or send the tool to a certified service center for a thorough cleaning and inspection.

Accessories

▲ WARNING: Since accessories, other than those offered by DEWALT, have not been tested with this product, use of such accessories with this tool could be hazardous. To reduce the risk of injury, only DEWALT recommended accessories should be used with this product.

Recommended accessories for use with your tool are available at extra cost from your local dealer or authorized service center. If you need assistance in locating any accessory, please contact DEWALT Industrial Tool Co., 701 East Joppa Road, Baltimore, MD 21286, call 1-800-4-DEWALT (1-800-433-9258) or visit our website: www.dewalt.com.

NOTE: The DT2074 flush cutting blade is for use with DEWALT DW331 and DC330 jig saws only.

VACUUM ADAPTER AND SHROUD (OPTIONAL)

Chip collection only works when a shop vacuum is attached to the unit through the vacuum adapter (N). To achieve the most efficient chip collection, the shroud (O) should be installed onto the front of the unit (Fig. 11).

NOTE: The jig saw must be in the 0° positive stop position before installing shroud.

To install the vacuum adapter, insert the vacuum adapter (N) into the back of the jig saw shoe (F). The vacuum adapter will lock into place.

To remove the vacuum adapter, push in the tab (P) on the vacuum adapter and remove adapter.

To install shroud, push shroud (O) onto the front of the jig saw. Note that the shoe must be in the 0° positive stop position to attach and use shroud.

To remove shroud, pull the shroud off one side at a time.

Repairs

To assure product SAFETY and RELIABILITY, repairs, maintenance and adjustment (including brush inspection and replacement) should be performed by a DEWALT factory service center, a DEWALT authorized service center or other qualified service personnel. Always use identical replacement parts.

Register Online

Thank you for your purchase. Register your product now for:

- **WARRANTY SERVICE:** Registering your product will help you obtain more efficient warranty service in case there is a problem with your product.
- **CONFIRMATION OF OWNERSHIP:** In case of an insurance loss, such as fire, flood or theft, your registration of ownership will serve as your proof of purchase.
- **FOR YOUR SAFETY:** Registering your product will allow us to contact you in the unlikely event a safety notification is required under the Federal Consumer Safety Act.

Register online at www.dewalt.com/register.

Three Year Limited Warranty

DEWALT will repair, without charge, any defects due to faulty materials or workmanship for three years from the date of purchase. This warranty does not cover part failure due to normal wear or tool abuse. For further detail of warranty coverage and warranty repair information, visit www.dewalt.com or call 1-800-4-DEWALT (1-800-433-9258). This warranty does not apply to accessories or damage caused where repairs have been made or attempted by others. This warranty gives you specific legal rights and you may have other rights which vary in certain states or provinces.

In addition to the warranty, DEWALT tools are covered by our:

1 YEAR FREE SERVICE

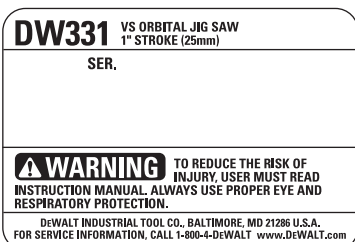
DEWALT will maintain the tool and replace worn parts caused by normal use, for free, any time during the first year after purchase.

90 DAY MONEY BACK GUARANTEE

If you are not completely satisfied with the performance of your DEWALT Power Tool, Laser, or Nailer for any reason, you can return it within 90 days from the date of purchase with a receipt for a full refund – no questions asked.

LATIN AMERICA: This warranty does not apply to products sold in Latin America. For products sold in Latin America, see country specific warranty information contained in the packaging, call the local company or see website for warranty information.

FREE WARNING LABEL REPLACEMENT: If your warning labels become illegible or are missing, call 1-800-4-DEWALT (1-800-433-9258) for a free replacement.



Définitions : lignes directrices en matière de sécurité

Les définitions ci-dessous décrivent le niveau de danger pour chaque mot-indicateur employé. Lire le mode d'emploi et porter une attention particulière à ces symboles.

▲ DANGER : indique une situation dangereuse imminente qui, si elle n'est pas évitée, entraînera la mort ou des blessures graves.

▲ AVERTISSEMENT : indique une situation potentiellement dangereuse qui, si elle n'est pas évitée, pourrait entraîner la mort ou des blessures graves.

▲ ATTENTION : indique une situation potentiellement dangereuse qui, si elle n'est pas évitée, pourrait entraîner des blessures légères ou modérées.

AVIS : indique une pratique ne posant aucun risque de dommages corporels mais qui par contre, si rien n'est fait pour l'éviter, pourrait poser des risques de dommages matériels.

POUR TOUTE QUESTION OU REMARQUE AU SUJET DE CET OUTIL OU DE TOUT AUTRE OUTIL DEWALT, COMPOSEZ LE NUMÉRO SANS FRAIS : 1-800-4-DEWALT (1-800-433-9258).



AVERTISSEMENT : afin de réduire le risque de blessures, lire le mode d'emploi de l'outil.

Avertissements de sécurité généraux pour les outils électriques



AVERTISSEMENT ! Lire tous les avertissements de sécurité et toutes les directives.

Le non-respect des avertissements et des directives pourrait se solder par un choc électrique, un incendie et/ou une blessure grave.

CONSERVER TOUS LES AVERTISSEMENTS ET TOUTES LES DIRECTIVES POUR UN USAGE ULTÉRIEUR

Le terme « outil électrique » cité dans les avertissements se rapporte à votre outil électrique à alimentation sur secteur (avec fil) ou par piles (sans fil).

1) SÉCURITÉ DU LIEU DE TRAVAIL

- Tenir l'aire de travail propre et bien éclairée.** Les lieux encombrés ou sombres sont propices aux accidents.
- Ne pas faire fonctionner d'outils électriques dans un milieu déflagrant, tel qu'en présence de liquides, de gaz ou de poussières inflammables.** Les outils électriques produisent des étincelles qui pourraient enflammer la poussière ou les vapeurs.
- Éloigner les enfants et les personnes à proximité pendant l'utilisation d'un outil électrique.** Une distraction pourrait en faire perdre la maîtrise à l'utilisateur.

2) SÉCURITÉ EN MATIÈRE D'ÉLECTRICITÉ

- Les fiches des outils électriques doivent correspondre à la prise. Ne jamais modifier la fiche d'aucune façon. Ne jamais utiliser de fiche d'adaptation avec un outil électrique mis à la terre.** Le risque de choc électrique sera réduit par l'utilisation de fiches non modifiées correspondant à la prise.
- Éviter tout contact physique avec des surfaces mises à la terre comme des tuyaux, des radiateurs, des cuisinières et des réfrigérateurs.** Le risque de choc électrique est plus élevé si votre corps est mis à la terre.
- Ne pas exposer les outils électriques à la pluie ou à l'humidité.** La pénétration de l'eau dans un outil électrique augmente le risque de choc électrique.
- Ne pas utiliser le cordon de façon abusive. Ne jamais utiliser le cordon pour transporter, tirer ou débrancher un outil électrique. Tenir le cordon éloigné de la chaleur, de l'huile, des bords tranchants et des pièces mobiles.** Les cordons endommagés ou enchevêtrés augmentent les risques de choc électrique.
- Pour l'utilisation d'un outil électrique à l'extérieur, se servir d'une rallonge convenant à cette application.** L'utilisation d'une rallonge conçue pour l'extérieur réduira les risques de choc électrique.
- S'il est impossible d'éviter l'utilisation d'un outil électrique dans un endroit humide, brancher l'outil dans une prise ou sur un circuit d'alimentation dotés d'un disjoncteur de fuite à la terre (GFCI).** L'utilisation de ce type de disjoncteur réduit les risques de choc électrique.

3) SÉCURITÉ PERSONNELLE

- Être vigilant, surveiller le travail effectué et faire preuve de jugement lorsqu'un outil électrique est utilisé. Ne pas utiliser d'outil électrique en cas de fatigue ou sous l'influence de drogues, d'alcool ou de médicaments.** Un simple moment d'inattention en utilisant un outil électrique peut entraîner des blessures corporelles graves.
- Utiliser des équipements de protection individuelle. Toujours porter une protection oculaire.** L'utilisation d'équipements de protection comme un masque antipoussière, des chaussures antidérapantes, un casque de sécurité ou des protecteurs auditifs lorsque la situation le requiert réduira les risques de blessures corporelles.
- Empêcher les démarrages intempestifs. S'assurer que l'interrupteur se trouve à la position d'arrêt avant de relier l'outil à une source d'alimentation et/ou d'insérer un bloc-piles, de ramasser ou de transporter l'outil.** Transporter un outil électrique alors que le doigt repose sur l'interrupteur ou brancher un outil électrique dont l'interrupteur est à la position de marche risque de provoquer un accident.
- Retirer toute clé de réglage ou clé avant de démarrer l'outil.** Une clé ou une clé de réglage attachée à une partie pivotante de l'outil électrique peut provoquer des blessures corporelles.
- Ne pas trop tendre les bras. Conserver son équilibre en tout temps.** Cela permet de mieux maîtriser l'outil électrique dans les situations imprévues.
- S'habiller de manière appropriée. Ne pas porter de vêtements amples ni de bijoux. Garder les cheveux, les vêtements et les gants à l'écart des pièces mobiles.** Les vêtements amples, les bijoux ou les cheveux longs risquent de rester coincés dans les pièces mobiles.
- Si des composants sont fournis pour le raccordement de dispositifs de dépoussiérage et de ramassage, s'assurer que ceux-ci sont bien raccordés et utilisés.** L'utilisation d'un dispositif de dépoussiérage peut réduire les dangers engendrés par les poussières.

4) UTILISATION ET ENTRETIEN D'UN OUTIL ÉLECTRIQUE

- Ne pas forcer un outil électrique. Utiliser l'outil électrique approprié à l'application.** L'outil électrique approprié effectuera un meilleur travail, de façon plus sûre et à la vitesse pour laquelle il a été conçu.
- Ne pas utiliser un outil électrique dont l'interrupteur est défectueux.** Tout outil électrique dont l'interrupteur est défectueux est dangereux et doit être réparé.
- Débrancher la fiche de la source d'alimentation et/ou du bloc-piles de l'outil électrique avant de faire tout réglage ou changement d'accessoire ou avant de ranger l'outil.** Ces mesures préventives réduisent les risques de démarrage accidentel de l'outil électrique.
- Ranger les outils électriques hors de la portée des enfants et ne permettre à aucune personne n'étant pas familière avec un outil électrique ou son mode d'emploi d'utiliser cet outil.** Les outils électriques deviennent dangereux entre les mains d'utilisateurs inexpérimentés.
- Entretien des outils électriques. Vérifier si les pièces mobiles sont mal alignées ou coincées, si des pièces sont brisées ou présentent toute autre condition susceptible de nuire au bon fonctionnement de l'outil électrique. En cas de dommage, faire réparer l'outil électrique avant toute nouvelle utilisation.** Beaucoup d'accidents sont causés par des outils électriques mal entretenus.
- S'assurer que les outils de coupe sont aiguisés et propres.** Les outils de coupe bien entretenus et affûtés sont moins susceptibles de se coincer et sont plus faciles à maîtriser.
- Utiliser l'outil électrique, les accessoires, les forets, etc. conformément aux présentes directives en tenant compte des conditions de travail et du travail à effectuer.** L'utilisation d'un outil électrique pour toute opération autre que celle pour laquelle il a été conçu est dangereuse.

5) RÉPARATION

- a) **Faire réparer l'outil électrique par un réparateur professionnel en n'utilisant que des pièces de rechange identiques.** Cela permettra de maintenir une utilisation sécuritaire de l'outil électrique.

Règles de sécurité additionnelles particulières concernant les scies sauteuses

- Tenir l'outil par les surfaces isolées prévues à cet effet pendant toute utilisation où l'organe de coupe pourrait entrer en contact avec des fils électriques cachés ou son propre cordon. Tout contact de l'organe de coupe avec un fil sous tension mettra les parties métalliques exposées de l'outil électrique sous tension et électrocutera l'utilisateur.**
- Utiliser des brides de fixation ou un autre dispositif de fixation permettant de soutenir et de retenir la pièce sur une plate-forme stable.** Tenir la pièce avec la main ou contre son corps la rend instable et risque de provoquer une perte de maîtrise de l'outil.
- Attendre que le moteur s'arrête complètement avant de retirer la lame de l'entaille (la fente créée par la coupe).** Une lame qui bouge peut rebondir contre la pièce et se briser ou endommager la pièce ou encore, faire perdre la maîtrise de l'outil et causer des risques de blessure.
- Garder les poignées propres, sèches et exemptes de toute trace d'huile et de graisse** afin d'éviter de perdre la maîtrise de l'outil.
- Maintenir les lames bien aiguisées,** car les lames usées peuvent faire dévier la scie ou faire caler le moteur lorsqu'on exerce trop de pression sur l'outil.
- Bien nettoyer l'outil périodiquement, surtout après l'avoir utilisé longuement,** car la poussière et les particules métalliques tendent à s'accumuler sur les surfaces internes et peuvent entraîner des risques de choc électrique.
- Ne pas utiliser cet outil pendant des périodes prolongées.** Les vibrations causées par l'action de fonctionnement de l'outil peuvent blesser en permanence les doigts, les mains et les bras. Porter des gants pour amortir les vibrations, faire des pauses fréquentes et limiter le temps d'utilisation quotidien de l'outil.
- Prendre des précautions à proximité des événements, car ils cachent des pièces mobiles.** Vêtements amples, bijoux ou cheveux longs risquent de rester coincés dans ces pièces mobiles.
- Pour la sécurité de l'utilisateur, utiliser une rallonge de calibre adéquat (AWG, American Wire Gauge [calibrage américain normalisé des fils électriques]).** Plus le calibre est petit, et plus sa capacité est grande. Un calibre 16, par exemple, a une capacité supérieure à un calibre 18. L'usage d'une rallonge de calibre insuffisant causera une chute de tension qui entraînera perte de puissance et surchauffe. Si plus d'une rallonge est utilisée pour obtenir une certaine longueur, s'assurer que chaque rallonge présente au moins le calibre de fil minimum. Le tableau ci-dessous illustre les calibres à utiliser selon la longueur de rallonge et l'intensité nominale indiquée sur la plaque signalétique. En cas de doute, utiliser le calibre suivant. Plus le calibre est petit, plus la rallonge peut supporter de courant.

Calibres minimaux des rallonges						
Intensité (en ampères)		volts	Longueur totale de cordon en mètres (pieds)			
		120 V	7,6 (25)	15,2 (50)	30,5 (100)	45,7 (150)
		240 V	15,2 (50)	30,5 (100)	61,0 (200)	91,4 (300)
Supérieur à	Inférieur à	AWG				
0	6		18	16	16	14
6	10		18	16	14	12
10	12		16	16	14	12
12	16		14	12	Non recommandé	

⚠AVERTISSEMENT : porter SYSTEMATIQUEMENT des lunettes de protection. Les lunettes courantes NE sont PAS des lunettes de protection. Utiliser aussi un masque antipoussières si la découpe doit en produire beaucoup. PORTER SYSTEMATIQUEMENT UN ÉQUIPEMENT DE SÉCURITÉ HOMOLOGUÉ :

- Protection oculaire ANSI Z87.1 (CAN/CSA Z94.3) ;
- Protection auditive ANSI S12.6 (S3.19) ;
- Protection des voies respiratoires NIOSH/OSHA/MSHA.

⚠AVERTISSEMENT : les scies, meules, ponceuses, perceuses ou autres outils de construction peuvent produire des poussières contenant des produits chimiques reconnus par l'État californien pour causer cancers, malformations congénitales ou être nocifs au système reproducteur. Parmi ces produits chimiques, on retrouve :

- Le plomb dans les peintures à base de plomb ;
- La silice cristallisée dans les briques et le ciment, ou autres produits de maçonnerie ; et
- L'arsenic et le chrome dans le bois ayant subi un traitement chimique.

Le risque associé à de telles expositions varie selon la fréquence à laquelle on effectue ces travaux. Pour réduire toute exposition à ces produits : travailler dans un endroit bien aéré, en utilisant du matériel de sécurité homologué, tel un masque antipoussières spécialement conçu pour filtrer les particules microscopiques.

- Limiter toute exposition prolongée avec les poussières provenant du ponçage, sciage, meulage, perçage ou toute autre activité de construction. Porter des vêtements de protection et nettoyer à l'eau savonneuse les parties du corps exposées.** Le fait de laisser la poussière pénétrer dans la bouche, les yeux ou la peau peut favoriser l'absorption de produits chimiques dangereux.

⚠AVERTISSEMENT : cet outil peut produire et/ou répandre de la poussière susceptible de causer des dommages sérieux et permanents au système respiratoire. Utiliser systématiquement un appareil de protection des voies respiratoires homologué par le NIOSH ou l'OSHA. Diriger les particules dans le sens opposé au visage et au corps.

⚠AVERTISSEMENT : pendant l'utilisation, porter systématiquement une protection auditive individuelle adéquate homologuée ANSI S12.6 (S3.19). Sous certaines conditions et suivant la durée d'utilisation, le bruit émanant de ce produit pourrait contribuer à une perte de l'acuité auditive.

- L'étiquette apposée sur votre outil peut inclure les symboles suivants. Les symboles et leur définition sont indiqués ci-après :

V.....volts	A..... ampères
Hz.....hertz	W..... watts
minminutes	~ ou AC..... courant alternatif
=== ou DC....courant continu	⚡ ou AC/DC... courant alternatif ou continu
ⓘclasse I fabrication (mis à la terre)	n0..... vitesse à vide
Ⓚfabrication classe II (double isolation)	n..... vitesse nominale
.../min par minute	⊕ borne de terre
IPM.....impacts par minute	⚠..... symbole d'avertissement
sfpmpieds linéaires par minute (plpm)	BPM..... battements par minute
SPM (FPM)....fréquence par minute	r/min..... tours par minute

CONSERVER CES CONSIGNES POUR UTILISATION ULTÉRIEURE

Moteur

S'assurer que le bloc d'alimentation est compatible avec l'inscription de la plaque signalétique. Une diminution de tension de plus de 10 % provoquera une perte de puissance et une surchauffe. La mention « c.a., 50 à 60 Hz », signifie que l'outil ne doit être branché que dans une prise de courant alternatif et qu'il ne doit **jamais** être raccordé à une prise de courant continu, alors que la mention « c.c. 60 Hz » ou « c.c. / c.a. » signifie qu'il peut être branché dans une prise à courant continu ou à courant alternatif.

Les outils DEWALT sont testés en usine ; si cet outil ne fonctionne pas, vérifier l'alimentation électrique.

COMPOSANTS

- | | |
|------------------------------------|------------------------------|
| A. Interrupteur à gâchette | F. Patin |
| B. Bouton de verrouillage | G. Levier de coupe |
| C. Bouton de réglage de la vitesse | H. Commande du chasse-sciure |
| D. Levier de la lame | I. Couvre-patin anti-rayures |
| E. Levier d'angle de biseau | J. Dispositif anti-éclats |

Interrupteur à gâchette (Fig. 1)

Pour démarrer la scie, enfoncer l'interrupteur à gâchette (A).

Pour ralentir et arrêter la scie, relâcher l'interrupteur.

Pour un fonctionnement continu, enfoncer l'interrupteur, puis le bouton de verrouillage (B). Une fois le bouton enfoncé, relâcher l'interrupteur à gâchette.

Pour arrêter l'outil en mode de fonctionnement continu, appuyer sur l'interrupteur afin de dégager le bouton de verrouillage.

Interrupteur à vitesse variable (Fig. 1, 2)

La vitesse variable de l'outil est commandée de deux façons, soit en utilisant le bouton de réglage de la vitesse (C) ou l'interrupteur à gâchette (A).

BOUTON DE RÉGLAGE DE LA VITESSE

Tourner le bouton de réglage de la vitesse (C) dans un sens ou dans l'autre afin de régler la vitesse maximale ou la course/minute de la lame lors de la coupe. Le bouton de réglage de la vitesse sert à régler la vitesse de coupe de la lame selon une plage qui varie entre 500 courses/minute (position A) et 3 100 courses/minute (position F).

INTERRUPTEUR À GÂCHETTE

Plus on enfonce l'interrupteur à gâchette, plus la course/minute augmente, sans toutefois dépasser la vitesse maximale indiquée sur le bouton de réglage de la vitesse; relâcher la gâchette afin de réduire la course/minute de la lame.

ASSEMBLAGE ET AJUSTEMENTS

⚠AVERTISSEMENT : pour réduire le risque de blessures, éteindre l'appareil et le débrancher avant d'installer ou de retirer tout accessoire et avant d'effectuer des réglages ou des réparations. Un démarrage accidentel peut provoquer des blessures.

Installation et retrait de la lame (Fig. 3)

⚠ATTENTION : Arrêter et débrancher l'outil avant d'effectuer un réglage ou de retirer ou d'installer des pièces ou accessoires.

INSTALLATION DE LA LAME

REMARQUE : Cette scie sauteuse n'utilise que des lames munies d'une tige en T.

REMARQUE : Utiliser la lame de coupe affleurée DT2074 seulement avec les scies sauteuses DEWALT DW331 et DC330.

REMARQUE : Lorsqu'on installe une lame de coupe affleurée (DT2074), on doit retirer le dispositif anti-éclats et mettre le patin à la position de butée fixe (0°).

- Soulever le levier de la lame sans clé (D).
- Insérer la lame munie d'une tige en T dans le mécanisme de serrage (M), en guidant la partie arrière de la lame dans la rainure des rouleaux de guidage (N).
- La tige en T doit être complètement insérée dans le mécanisme de serrage, tel qu'illustré à la figure 3.
- Relâcher le levier de la lame sans clé.

RETRAIT DE LA LAME

- Soulever le levier de la lame sans clé (D).
- Osciller légèrement la lame afin de la faire sortir.

⚠ATTENTION : Ne pas toucher les lames usées, car ces dernières peuvent devenir chaudes et causer des blessures.

Réglage de l'angle de biseau du patin (Fig. 4)

Pour déverrouiller le patin, tirer le levier d'angle de biseau sans clé (E) vers le côté.

Pour verrouiller le patin, pousser le même levier vers l'arrière, sous le corps de l'outil.

POUR RÉGLER L'ANGLE DE BISEAU DU PATIN

- Déverrouiller le patin.
- Le faire glisser (F) vers l'avant afin de le dégager de la position de butée fixe (0 °).
- On peut régler l'angle de biseau du patin vers la gauche ou vers la droite, et régler la détente à des angles de 15 °, 30 ° ou 45 °. On peut arrêter manuellement le patin à n'importe quelle position afin d'obtenir un angle de 0 ° à 45 °.
- Une fois l'angle voulu obtenu, verrouiller le patin dans cette position.

POUR REMETTRE LE PATIN À 0 °

- Déverrouiller le patin.
- Le tourner jusqu'à la position de 0 °.
- Le faire glisser jusqu'à la position de butée fixe (0 °).
- Le verrouiller.

Coupe en mode orbital ou coupe droite (Fig. 5)

⚠ATTENTION : S'assurer que l'outil n'est PAS verrouillé en position de marche (« ON ») avant de le brancher à une source d'alimentation électrique afin d'éviter de démarrer accidentellement l'outil et de causer des dommages ou des blessures.

La scie sauteuse est munie d'un levier qui permet d'effectuer quatre types de coupes, dont trois en mode orbital et un en mode de coupe droite. Lors de la coupe en mode orbital, qui est conçu pour la coupe de matériaux mous tels que le bois et le plastique, la lame se déplace de façon plus prononcée. Bien qu'une coupe en mode orbital soit plus rapide, elle produit une surface plus rugueuse en raison des mouvements verticaux de la lame lorsqu'elle avance durant sa course de travail.

REMARQUE : On ne doit jamais utiliser la scie en mode orbital pour couper le métal ou le bois dur.

Pour régler le levier de coupe, déplacer ce dernier (G) entre les quatre positions, soit 0, 1, 2 et 3. La position « 0 » correspond à la coupe droite et les positions 1, 2 et 3, à la coupe en mode orbital. Plus la position est élevée, plus la coupe est prononcée.

Chasse-sciure (Fig. 6)

Le chasse-sciure aide à dégager les débris produits par la lame dans la zone de coupe.

REMARQUE : Lorsqu'on coupe du métal, on doit mettre le chasse-sciure hors tension afin de ne pas enlever les fluides de coupe qui recouvrent la lame.

Pour mettre le chasse-sciure en marche, soulever la commande (H), aussi loin que possible.

Pour arrêter le chasse-sciure, abaisser la commande, aussi loin que possible.

Couvre-patin anti-rayures détachable (Fig. 7)

Le couvre-patin anti-rayures (I) doit être utilisé lorsque la surface de coupe s'égratigne facilement, telle une surface stratifiée, plaquée ou peinte.

Pour fixer le couvre-patin, placer le devant du patin en aluminium (F) dans la partie avant du couvre-patin anti-rayures (I), puis abaisser la scie afin d'enclencher solidement le couvre-patin dans la partie arrière du patin en aluminium.

Pour retirer le couvre-patin, le saisir par le bas et le retirer en tenant les deux languettes arrière (M).

Dispositif anti-éclats (Fig. 8)

REMARQUE : Ne pas utiliser le dispositif anti-éclats avec la lame de coupe affleurée.

Le dispositif anti-éclats (J) doit être utilisé lorsqu'on veut réduire au minimum les déchirures, surtout lorsqu'on coupe des matériaux plaqués ou stratifiés ou des surfaces finies, comme les surfaces peintes. Le dispositif anti-éclats doit être installé à l'intérieur du couvre-patin anti-rayures (I). Si ce dernier n'est pas utilisé, installer le dispositif anti-éclats dans le patin (F).

UTILISATION

⚠AVERTISSEMENT : pour réduire le risque de blessures, éteindre l'appareil et le débrancher avant d'installer ou de retirer tout accessoire et avant d'effectuer des réglages ou des réparations. Un démarrage accidentel peut provoquer des blessures.

Coupe

⚠AVERTISSEMENT : Ne pas utiliser la scie sauteuse sans y avoir d'abord installé le patin afin d'éviter les risques de blessure grave.

COUPE INTERNE (FIG. 10)

Il s'agit d'une méthode facile d'effectuer une coupe à l'intérieur d'un matériau. On peut introduire la scie directement dans un panneau ou une planche sans qu'il ne soit nécessaire de percer d'abord un trou de guidage. Pour réaliser une coupe à l'intérieur d'une pièce, mesurer la surface à couper et inscrire clairement une marque au crayon à l'endroit voulu. Incliner la scie vers l'avant de manière à ce que le devant du patin repose fermement sur la surface de travail et que la lame soit complètement dégagée de la pièce lors de sa course maximale. Mettre l'outil sous tension et attendre qu'il atteigne sa vitesse maximale. Le saisir fermement l'outil et abaisser lentement son bord arrière jusqu'à ce que la lame atteigne toute sa profondeur. Tenir le patin à plat contre le matériau et amorcer la coupe. Ne pas retirer la lame de la ligne de coupe lorsqu'elle bouge encore; on doit attendre qu'elle s'immobilise complètement.

COUPE AFFLEURÉE (FIG. 9)

Ce type de coupe est nécessaire lorsqu'on veut finir une coupe jusqu'au bord d'un mur ou tout près d'un obstacle, tel un dos anti-éclaboussement. Un des moyens les plus faciles d'effectuer une coupe affleurée et d'utiliser une lame de coupe affleurée (DT2074) puisqu'elle permet à l'utilisateur d'effectuer une coupe tout près du bord avant du patin de la scie sauteuse. Retirer le dispositif anti-éclats et remettre le patin à la position de butée fixe (0°) avant d'installer et d'utiliser la lame de coupe affleurée. Afin d'obtenir les meilleurs résultats possibles, on doit régler la lame à la position « 0 » ou de mode orbital « 1 ». On ne doit pas utiliser la lame de coupe affleurée pour amorcer la coupe puisqu'elle ne permet pas de supporter le patin sur la surface de travail. Utiliser la méthode expliquée ci-dessous pour couper le bois.

COUPE DU BOIS

Soutenir adéquatement la pièce en tout temps. Toujours sélectionner la vitesse maximale pour couper le bois. Ne pas tenter de mettre l'outil sous tension lorsque la lame est appuyée contre le matériau à couper afin d'éviter de caler le moteur. Placer le devant du patin sur le matériau à couper et tenir fermement le patin contre le matériau lors de la coupe. Ne pas forcer l'outil; laisser la lame couper à la vitesse normale. Une fois la coupe terminée, mettre l'outil hors tension et attendre que la lame s'immobilise complètement. Déposer ensuite la scie de côté avant de desserrer la pièce.

COUPE DU MÉTAL

Lorsqu'on coupe une feuille de tôle mince, il est préférable de fixer un morceau de bois sous la tôle afin d'assurer une coupe précise sans risquer de causer des vibrations ou de déchirer la tôle. Utiliser une lame à dents fines pour couper les métaux ferreux (c'est-à-dire, ceux contenant du fer) et une lame à grosses dents pour les métaux non ferreux (ceux ne contenant aucun fer).

Utiliser une haute vitesse pour couper les alliages doux (l'aluminium, le cuivre, le laiton, l'acier doux, les tuyaux en acier galvanisé, conduits de tôle, etc.), et une basse vitesse pour couper les plastiques, les tuiles, les stratifiés, les métaux durs et la fonte.

MAINTENANCE

⚠️AVERTISSEMENT : *pour réduire le risque de blessures, éteindre l'appareil et le débrancher avant d'installer ou de retirer tout accessoire et avant d'effectuer des réglages ou des réparations. Un démarrage accidentel peut provoquer des blessures.*

Nettoyage

⚠️AVERTISSEMENT : *enlever les saletés et la poussière hors des événements au moyen d'air comprimé propre et sec, au moins une fois par semaine. Pour minimiser le risque de blessure aux yeux, toujours porter une protection oculaire conforme à la norme ANSI Z87.1 lors du nettoyage.*

⚠️AVERTISSEMENT : *ne jamais utiliser de solvants ni d'autres produits chimiques puissants pour nettoyer les pièces non métalliques de l'outil. Ces produits chimiques peuvent affaiblir les matériaux de plastique utilisés dans ces pièces. Utiliser un chiffon humecté uniquement d'eau et de savon doux. Ne jamais laisser de liquide pénétrer dans l'outil et n'immerger aucune partie de l'outil dans un liquide.*

Lubrification

REMARQUE : NE JAMAIS pulvériser, ni appliquer de quelque manière que ce soit, un lubrifiant ou un solvant de nettoyage à l'intérieur de l'outil, car cela pourrait nuire sérieusement à la durée de vie et au rendement de l'outil.

Les outils DEWALT sont lubrifiés en usine et sont donc prêts à utiliser. Cependant, on recommande d'apporter ou d'envoyer l'outil une fois par année dans un centre de service qualifié afin qu'il puisse être complètement nettoyé et inspecté.

Accessoires

⚠️AVERTISSEMENT : *puisque les accessoires autres que ceux offerts par DEWALT n'ont pas été testés avec ce produit, leur utilisation pourrait s'avérer dangereuse. Pour réduire le risque de blessures, utiliser exclusivement les accessoires DEWALT recommandés avec le présent produit.*

Les accessoires recommandés pour cet outil sont vendus séparément au centre de service de votre région. Pour obtenir de l'aide concernant l'achat d'un accessoire, communiquer avec DEWALT Industrial Tool Co., 701 East Joppa Road, Baltimore, MD 21286 aux États-Unis; composer le 1 800 433-9258 (1 800 4-DEWALT) ou visiter notre site Web : www.dewalt.com.

REMARQUE : La lame de coupe affleurée DT2074 doit être utilisée avec les scies sauteuses DEWALT DW331 et DC330 seulement.

ADAPTATEUR DU TUBE D'ASPIRATION ET COUVERCLE DE PROTECTION (EN OPTION)

On ne peut évacuer les copeaux que lorsqu'un aspirateur d'atelier est fixé à l'outil au moyen d'un adaptateur du tube d'aspiration (N). Afin d'obtenir les meilleurs résultats possibles, installer le couvercle de protection (O) sur le devant de l'outil (fig.11).

REMARQUE : Régler la scie à la position de butée fixe (0 °) avant d'installer le couvercle.

Pour installer l'adaptateur du tube d'aspiration, insérer ce dernier (N) à l'arrière du patin de la scie (F) et bien l'enclencher.

Pour retirer l'adaptateur, enfoncer la languette (P) de l'adaptateur et retirer celui-ci.

Pour installer le couvercle de protection, enfoncer celui-ci (O) sur la partie avant de la scie. S'assurer que le patin est réglé à la position de butée fixe (0 °) avant de fixer et d'utiliser le couvercle.

Pour retirer le couvercle, le tirer d'un côté, puis de l'autre.

Réparations

Pour assurer la SÉCURITÉ et la FIABILITÉ du produit, les réparations, l'entretien et les réglages doivent être réalisés (cela comprend l'inspection et le remplacement du balaï) par un centre de réparation en usine DEWALT, un centre de réparation agréé DEWALT ou par d'autres techniciens qualifiés. Toujours utiliser des pièces de rechange identiques.

Registre en ligne

Merci pour votre achat. Enregistrez dès maintenant votre produit:

- **RÉPARATIONS SOUS GARANTIE:** cette carte remplie vous permettra de vous prévaloir du service de réparations sous garantie de façon plus efficace dans le cas d'un problème avec le produit.
- **CONFIRMATION DE PROPRIÉTÉ:** en cas de perte provoquée par un incendie, une inondation ou un vol, cette preuve de propriété vous servira de preuve auprès de votre compagnie d'assurances.
- **SÉCURITÉ:** l'enregistrement de votre produit nous permettra de communiquer avec vous dans l'éventualité peu probable de l'envoi d'un avis de sécurité régi par la loi fédérale américaine de la protection des consommateurs.

Registre en ligne à www.dewalt.com/register.

Garantie limitée de trois ans

DEWALT réparera, sans frais, tout produit défectueux causé par un défaut de matériel ou de fabrication pour une période de trois ans à compter de la date d'achat. La présente garantie ne couvre pas les pièces dont la défectuosité a été causée par une usure normale ou l'usage abusif de l'outil. Pour obtenir de plus amples renseignements sur les pièces ou les réparations couvertes par la présente garantie, visiter le site www.dewalt.com ou composer le 1 800 433-9258 (1 800 4-DEWALT). Cette garantie ne s'applique pas aux accessoires et ne vise pas les dommages causés par des réparations effectuées par un tiers. Cette garantie confère des droits légaux particuliers à l'acheteur, mais celui-ci pourrait aussi bénéficier d'autres droits variant d'un état ou d'une province à l'autre.

En plus de la présente garantie, les outils DEWALT sont couverts par notre :

CONTRAT D'ENTRETIEN GRATUIT D'UN AN

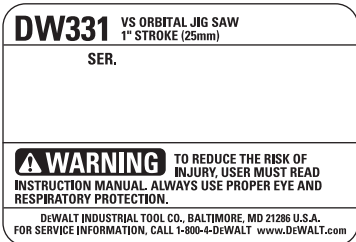
DEWALT entretiendra l'outil et remplacera les pièces usées au cours d'une utilisation normale et ce, gratuitement, pendant une période d'un an à compter de la date d'achat.

GARANTIE DE REMBOURSEMENT DE 90 JOURS

Si l'acheteur n'est pas entièrement satisfait, pour quelque raison que ce soit, du rendement de l'outil électrique, du laser ou de la cloueuse DEWALT, celui-ci peut le retourner, accompagné d'un reçu, dans les 90 jours à compter de la date d'achat pour obtenir un remboursement intégral, sans aucun problème.

AMÉRIQUE LATINE : cette garantie ne s'applique aux produits vendus en Amérique latine. Pour ceux-ci, veuillez consulter les informations relatives à la garantie spécifique présente dans l'emballage, appeler l'entreprise locale ou consulter le site Web pour les informations relatives à cette garantie.

REMPACEMENT GRATUIT DES ÉTIQUETTES D'AVERTISSEMENT : si les étiquettes d'avertissement deviennent illisibles ou sont manquantes, composer le 1 800 433-9258 (1 800 4-DEWALT) pour en obtenir le remplacement gratuit.



Definiciones: Normas de seguridad

Las siguientes definiciones describen el nivel de gravedad de cada palabra de señal. Lea el manual y preste atención a estos símbolos.

⚠️PELIGRO: *indica una situación de peligro inminente que, si no se evita, provocará la muerte o lesiones graves.*

⚠️ADVERTENCIA: *indica una situación de peligro potencial que, si no se evita, podría provocar la muerte o lesiones graves.*

⚠️ATENCIÓN: *indica una situación de peligro potencial que, si no se evita, posiblemente provocaría lesiones leves o moderadas.*

AVISO: *se refiere a una práctica no relacionada a lesiones corporales que de no evitarse puede resultar en daños a la propiedad.*

SI TIENE ALGUNA DUDA O ALGÚN COMENTARIO SOBRE ÉSTA U OTRA HERRAMIENTA DEWALT, LLÁMENOS AL NÚMERO GRATUITO: **1-800-4-DEWALT (1-800-433-9258)**.



ADVERTENCIA: Para reducir el riesgo de lesiones, lea el manual de instrucciones.

Advertencias generales de seguridad para herramientas eléctricas

⚠️ADVERTENCIA! *Lea todas las advertencias de seguridad e instrucciones. El incumplimiento de las advertencias e instrucciones puede provocar descargas eléctricas, incendios o lesiones graves.*

CONSERVE TODAS LAS ADVERTENCIAS E INSTRUCCIONES PARA FUTURAS CONSULTAS

El término "herramienta eléctrica" incluido en las advertencias hace referencia a las herramientas eléctricas operadas con corriente (con cable eléctrico) o a las herramientas eléctricas operadas con baterías (inalámbricas).

1) SEGURIDAD EN EL ÁREA DE TRABAJO

- Mantenga el área de trabajo limpia y bien iluminada.** Las áreas abarrotadas y oscuras propician accidentes.
- No opere las herramientas eléctricas en atmósferas explosivas, como ambientes donde haya polvo, gases o líquidos inflamables.** Las herramientas eléctricas originan chispas que pueden encender el polvo o los vapores.
- Mantenga alejados a los niños y a los espectadores de la herramienta eléctrica en funcionamiento.** Las distracciones pueden provocar la pérdida de control.

2) SEGURIDAD ELÉCTRICA

- Los enchufes de la herramienta eléctrica deben adaptarse al tomacorriente. Nunca modifique el enchufe de ninguna manera. No utilice ningún enchufe adaptador con herramientas eléctricas con conexión a tierra.** Los enchufes no modificados y que se adaptan a los tomacorrientes reducirán el riesgo de descarga eléctrica.
- Evite el contacto corporal con superficies con descargas a tierra como, por ejemplo, tuberías, radiadores, cocinas eléctricas y refrigeradores.** Existe mayor riesgo de descarga eléctrica si su cuerpo está puesto a tierra.
- No exponga las herramientas eléctricas a la lluvia o a condiciones de humedad.** Si entra agua a una herramienta eléctrica, aumentará el riesgo de descarga eléctrica.
- No maltrate el cable. Nunca utilice el cable para transportar, tirar o desenchufar la herramienta eléctrica. Mantenga el cable alejado del calor, el aceite, los bordes filosos y las piezas móviles.** Los cables dañados o enredados aumentan el riesgo de descarga eléctrica.
- Al operar una herramienta eléctrica en el exterior, utilice un cable prolongador adecuado para tal uso.** Utilice un cable adecuado para uso en exteriores a fin de reducir el riesgo de descarga eléctrica.
- Si el uso de una herramienta eléctrica en un lugar húmedo es imposible de evitar, utilice un suministro protegido con un interruptor de circuito por falla a tierra (GFCI).** El uso de un GFCI reduce el riesgo de descargas eléctricas.

3) SEGURIDAD PERSONAL

- Permanezca alerta, controle lo que está haciendo y utilice el sentido común cuando elee una herramienta eléctrica. No utilice una herramienta eléctrica si está cansado o bajo el efecto de drogas, alcohol o medicamentos.** Un momento de descuido mientras se opera una herramienta eléctrica puede provocar lesiones personales graves.
- Utilice equipos de protección personal. Siempre utilice protección para los ojos.** En las condiciones adecuadas, el uso de equipos de protección, como máscaras para polvo, calzado de seguridad antideslizante, cascos o protección auditiva, reducirá las lesiones personales.
- Evite el encendido por accidente. Asegúrese de que el interruptor esté en la posición de apagado antes de conectarlo a la fuente de energía o paquete de baterías, o antes de levantar o transportar la herramienta.** Transportar herramientas eléctricas con el dedo apoyado en el interruptor o enchufar herramientas eléctricas con el interruptor en la posición de encendido puede propiciar accidentes.
- Retire la clavija de ajuste o la llave de tuercas antes de encender la herramienta eléctrica.** Una llave de tuercas o una clavija de ajuste que quede conectada a una pieza giratoria de la herramienta eléctrica puede provocar lesiones personales.
- No se estire. Conserve el equilibrio y párese adecuadamente en todo momento.** Esto permite un mejor control de la herramienta eléctrica en situaciones inesperadas.
- Use la vestimenta adecuada. No use ropas holgadas ni joyas. Mantenga el cabello, la ropa y los guantes alejados de las piezas en movimiento.** Las ropas holgadas, las joyas o el cabello largo pueden quedar atrapados en las piezas en movimiento.
- Si se suministran dispositivos para la conexión de accesorios con fines de recolección y extracción de polvo, asegúrese de que estén conectados y que se utilicen correctamente.** El uso de dispositivos de recolección de polvo puede reducir los peligros relacionados con el polvo.

4) USO Y MANTENIMIENTO DE LA HERRAMIENTA ELÉCTRICA

- No fuerce la herramienta eléctrica. Utilice la herramienta eléctrica correcta para el trabajo que realizará.** Si se la utiliza a la velocidad para la que fue diseñada, la herramienta eléctrica correcta permite trabajar mejor y de manera más segura.
- No utilice la herramienta eléctrica si no puede encenderla o apagarla con el interruptor.** Toda herramienta eléctrica que no pueda ser controlada mediante el interruptor es peligrosa y debe repararse.
- Desconecte el enchufe de la fuente de energía o el paquete de baterías de la herramienta eléctrica antes de realizar ajustes, cambiar accesorios o almacenar la herramienta eléctrica.** Estas medidas de seguridad preventivas reducen el riesgo de encender la herramienta eléctrica en forma accidental.
- Guarde la herramienta eléctrica que no esté en uso fuera del alcance de los niños y no permita que otras personas no familiarizadas con ella o con estas instrucciones operen la herramienta.** Las herramientas eléctricas son peligrosas si son operadas por usuarios no capacitados.

GUARDE ESTAS INSTRUCCIONES PARA FUTURAS CONSULTAS

Motor

Asegúrese de que la fuente de energía concuerde con lo que se indica en la placa. Un descenso en el voltaje de más del 10% producirá una pérdida de potencia y sobrecalentamiento. Voltios 50/60 Hz o “sólo AC” significa que su herramienta debe operarse con corriente alterna y **nunca** con corriente continua. Voltios DC-60 Hz ó AC/DC significa que su herramienta puede ser operada con corriente alterna o continua. Todas las herramientas DEWALT son probadas en fábrica; si esta herramienta no funciona, verifique el suministro eléctrico.

COMPONENTES

- | | |
|--------------------------------------|--------------------------------------|
| A. Conmutador tipo gatillo | H. Control para el soplador de polvo |
| B. Botón del seguro | I. Cubierta protectora de la base |
| C. Cuadrante de control de velocidad | J. Accesorio anti-astillas |
| D. Palanca de la hoja | |
| E. Palanca de bisel | |
| F. Base | |
| G. Palanca de corte | |

Conmutador tipo gatillo (Fig. 1)

Para arrancar la sierra de vaivén, apriete el conmutador tipo gatillo (A).

Para hacer que la sierra opere a una velocidad menor y detenerla completamente, suelte el conmutador tipo gatillo.

Para una operación continua, apriete el conmutador tipo gatillo y luego presione el botón del seguro (B). Una vez presionado el botón del seguro, suelte el conmutador tipo gatillo.

Para dejar de operar continuamente la sierra, apriete el gatillo y el seguro se desactivará.

Conmutador de velocidad variable (Fig. 1, 2)

La velocidad variable se controla en una de dos formas: con el cuadrante de control de velocidad (C) o con el conmutador tipo gatillo (A).

CUADRANTE DE CONTROL DE VELOCIDAD

Al girar el cuadrante de control de velocidad (C) en cualquiera de las dos direcciones, ajustará la velocidad máxima u oscilaciones por minuto a la cual corta la hoja. El cuadrante de control de velocidad ajusta la velocidad a la cual corta la hoja, de aproximadamente 500 SPM en la velocidad A, a aproximadamente 3100 SPM en la velocidad F.

CONMUTADOR TIPO GATILLO

Al presionar el conmutador tipo gatillo, las oscilaciones por minuto seguirán aumentando pero no sobrepasarán la configuración máxima del cuadrante de control de velocidad. Al soltar el gatillo, las oscilaciones por minuto de la hoja disminuirán.

MONTAJE Y AJUSTES

⚠ADVERTENCIA: Para reducir el riesgo de lesiones personales graves, apague la herramienta y desconéctela de la fuente de alimentación antes de instalar y retirar accesorios, ajustar o cambiar configuraciones o realizar reparaciones. Un arranque accidental podría causar lesiones.

Instalación y desinstalación de la hoja (Fig. 3)

⚠ATENCIÓN: Apague y desenchufe la herramienta antes de realizar cualquier ajuste o de instalar/desinstalar accesorios.

PARA INSTALAR UNA HOJA

NOTA: Esta sierra de vaivén usa sólo hojas para sierra de vaivén con vástagos tipo T.

NOTA: La hoja de corte al ras DT2074 sólo puede ser usada con sierras de vaivén marca DEWALT modelos DW331 y DC330.

NOTA: Cuando instale hojas de corte al ras (DT2074), se debe retirar el dispositivo contra astillas y la base debe encontrarse en la posición de tope 0° positivo.

- Levante la palanca sin llave de la hoja (D).
- Inserte la hoja con vástago tipo T en el mecanismo de sujeción (K) al tiempo que guía la parte posterior de la hoja en la ranura de los rodillos de guía (L).
- El vástago tipo T debería encontrarse completamente dentro del mecanismo de sujeción como lo muestra la Figura 3.
- Suelte la palanca sin llave de la hojas.

PARA RETIRAR UNA HOJA

- Levante la palanca sin llave de la hoja (D).
- Sacuda ligeramente para hacer que la hoja se salga.

⚠ATENCIÓN: No toque las hojas usadas, puede que estén calientes. Podría resultar en lesiones corporales.

Biselado de la base (Fig. 4)

Para desbloquear la base, tire de la palanca de bisel sin llave (E) a un lado.

Para bloquear la base, empuje la palanca de bisel sin llave de modo que vuelva a estar debajo del cuerpo de la sierra de vaivén.

PARA BISELAR LA BASE

- Desbloquee la base.
- Deslícela (F) hacia adelante para liberarla de la posición de tope de 0° positivo.
- La base puede ser biselada a la izquierda o derecha y tiene topes en 15°, 30° y 45°. La base se puede detener manualmente en cualquier grado entre 0° y 45°.
- Una vez que el ángulo de bisel deseado sea logrado, bloquee la base en su lugar.

PARA PONER LA BASE EN 0°

- Desbloquee la base.
- Gírela de vuelta a 0°.
- Deslícela de regreso a la posición de tope en 0° positivo.
- Bloquee la base.

Acción de corte – Orbital o recto (Fig. 5)

⚠ATENCIÓN: Verifique que la herramienta no esté bloqueada en OPERACIÓN CONTINUA antes de enchufarla a la toma de corriente. Si el conmutador tipo gatillo está bloqueado en OPERACIÓN CONTINUA, la herramienta arrancará apenas sea enchufada. Esto podría dañar la herramienta o resultar en lesiones corporales.

Esta sierra de vaivén viene equipada para cortar de cuatro formas, tres tipos de corte orbital y uno recto. La acción orbital tiene un movimiento más agresivo de hoja y está diseñado para cortar materiales blandos como madera o plástico. La acción orbital ofrece un corte más rápido pero menos suave en el material. En una acción orbital, la hoja se mueve hacia adelante durante la oscilación del corte además del movimiento vertical.

NOTA: Jamás se deberían cortar metales o maderas duras con acción orbital.

Para ajustar la acción de corte, mueva la palanca de acción de corte (G) entre las cuatro posiciones de corte: 0, 1, 2 y 3. La posición 0 es un corte recto. Las posiciones 1, 2 y 3 son de corte orbital. La agresividad del corte aumenta en la medida que la palanca se ajuste de uno a tres, siendo tres el corte más agresivo.

Soplador de polvo (Fig. 6)

El soplador de polvo ayuda a despejar el área de corte del material de desecho creado por la hoja.

NOTA: Cuando corte metales, apague el soplador de polvo para que los fluidos de corte no sean sopladados en dirección opuesta a la hoja.

Para encender el soplador de polvo, deslice el control del soplador de polvo (H) completamente hacia arriba.

Para apagar el soplador de polvo, deslice el control del soplador de polvo completamente hacia abajo.

Cubierta protectora removible de la base (Fig. 7)

La cubierta protectora de la base (I) debería ser usada cuando corte superficies que se rallan fácilmente, como aquellas que son laminadas, enchapadas o pintadas.

Para colocar la cubierta protectora de la base, ponga la parte delantera de la base de aluminio (F) en la parte delantera de la cubierta protectora de la base (I) y baje la sierra de vaivén. La cubierta protectora de la base se fijará bien a la parte posterior de la base de aluminio.

Para retirar la cubierta protectora de la base, tome la cubierta protectora de la base de la parte inferior de ella; sujetando ambas lengüetas posteriores (M), retire la cubierta protectora de la base.

- Realice el mantenimiento de las herramientas eléctricas. Revise que no haya piezas en movimiento mal alineadas o trabadas, piezas rotas o cualquier otra situación que pueda afectar el funcionamiento de la herramienta eléctrica. Si encuentra daños, haga reparar la herramienta eléctrica antes de utilizarla. Se producen muchos accidentes a causa de las herramientas eléctricas que carecen de un mantenimiento adecuado.
- Mantenga las herramientas de corte afiladas y limpias. Las herramientas de corte con mantenimiento adecuado y con los bordes de corte afilados son menos propensas a trabarse y son más fáciles de controlar.
- Utilice la herramienta eléctrica, los accesorios y las brocas de la herramienta, etc. de acuerdo con estas instrucciones y teniendo en cuenta las condiciones de trabajo y el trabajo que debe realizarse. El uso de la herramienta eléctrica para operaciones diferentes de aquéllas para las que fue diseñada podría originar una situación peligrosa.

5) MANTENIMIENTO

- Solicite a una persona calificada en reparaciones que realice el mantenimiento de su herramienta eléctrica y que sólo utilice piezas de repuesto idénticas. Esto garantizará la seguridad de la herramienta eléctrica.

Normas específicas de seguridad adicionales para sierras de vaivén

- Sujete las herramientas eléctricas por superficies aisladas cuando realice una operación en la cual la herramienta para cortar pudiera entrar en contacto con instalaciones eléctricas ocultas o su propio cable. El contacto de los accesorios de corte con un cable cargado puede cargar las partes metálicas expuestas de la herramienta y producir una descarga eléctrica al operador.
- Utilice abrazaderas u otra forma práctica para asegurar y sostener la pieza de trabajo sobre una plataforma estable. Sostener el trabajo con la mano o contra el cuerpo no brinda la estabilidad requerida y puede llevar a la pérdida del control.
- Permita que el motor se detenga por completo antes de retirar la hoja de la línea de corte. Las hojas en movimiento pueden impactar la pieza de trabajo y romperse, dañar la pieza de trabajo o causar la pérdida de control de la herramienta y posibles lesiones corporales.
- Mantenga las empuñaduras secas, limpias, libres de aceite y grasa. Esto permitirá un mejor control de la herramienta.
- Mantenga las hojas afiladas. Las hojas romas pueden hacer que la sierra se desvíe o estanque bajo presión.
- Limpie su herramienta con frecuencia, especialmente después de usos prolongados. El polvo y la arenilla que contienen partículas metálicas se acumulan con frecuencia en las superficies interiores y podrían ocasionar peligro de descarga eléctrica.
- No opere esta herramienta durante periodos largos de tiempo. La vibración causada por la acción de operación de esta herramienta puede causar lesiones permanentes a los dedos, las manos y los brazos. Utilice guantes para una mayor amortiguación, tome descansos frecuentes y limite el tiempo de uso diario.
- Los orificios de ventilación suelen cubrir piezas en movimiento, por lo que también se deben evitar. Las piezas en movimiento pueden atrapar prendas de vestir sueltas, joyas o el cabello largo.
- El cable de extensión deben ser de un calibre apropiado para su seguridad. Mientras menor sea el calibre del hilo, mayor la capacidad del cable. Es decir, un hilo calibre 16 tiene mayor capacidad que uno de 18. Un cable de un calibre insuficiente causará una caída en la tensión de la línea dando por resultado una pérdida de energía y sobrecalentamiento. Cuando se utilice más de un alargador para completar el largo total, asegúrese que los hilos de cada alargador tengan el calibre mínimo. La tabla siguiente muestra el tamaño correcto a utilizar, dependiendo de la longitud del cable y del amperaje nominal de la placa de identificación. Si tiene dudas sobre cuál calibre usar, use un calibre mayor. Cuanto más pequeño sea el número del calibre, más resistente será el cable.

Calibre mínimo para cables de alimentación						
Amperaje		Voltios	Largo total del cordón en metros (pies)			
		120 V	7,6 (25)	15,2 (50)	30,5 (100)	45,7 (150)
		240 V	15,2 (50)	30,5 (100)	61,0 (200)	91,4 (300)
Más de	No más de	AWG				
0	6		18	16	16	14
6	10		18	16	14	12
10	12		16	16	14	12
12	16		14	12	No recomendado	

⚠ADVERTENCIA: Use **SIEMPRE** lentes de seguridad. Los anteojos de diario NO SON lentes de seguridad. Utilice además una cubrebocas o mascarilla antipolvo si la operación de corte genera demasiado polvo. SIEMPRE LLEVE EQUIPO DE SEGURIDAD CERTIFICADO:

- Protección ocular ANSI Z87.1 (CAN/CSA Z94.3),
- Protección auditiva ANSI S12.6 (S3.19),
- Protección respiratoria NIOSH/OSHA/MSHA.

⚠ADVERTENCIA: Algunas partículas de polvo generadas al lijar, serrar, esmerilar y taladrar con herramientas eléctricas, así como al realizar otras actividades de construcción, contienen químicos que el Estado de California sabe que pueden producir cáncer, defectos congénitos u otras afecciones reproductivas. Ejemplos de estos químicos son:

- plomo de algunas pinturas en base a plomo,
- polvo de sílice proveniente de ladrillos y cemento y otros productos de albañilería, y
- arsénico y cromo provenientes de madera tratada químicamente.

Su riesgo de exposición a estos químicos varía, dependiendo de la frecuencia con la cual realiza usted este tipo de trabajo. Para reducir su exposición a estas sustancias químicas: trabaje en una zona bien ventilada y llevando equipos de seguridad aprobados, como mascarillas antipolvo especialmente diseñadas para filtrar partículas microscópicas.

- Evite el contacto prolongado con polvo generado por el lijado, aserrado, pulido, taladrado y otras actividades de construcción. Vista ropas protectoras y lave las áreas de la piel expuestas con agua y jabón. Si permite que el polvo se introduzca en la boca u ojos o quede sobre la piel, puede favorecer la absorción de productos químicos peligrosos.

⚠ADVERTENCIA: La utilización de esta herramienta puede generar polvo o dispersarlo, lo que podría causar daños graves y permanentes al sistema respiratorio, así como otras lesiones. Siempre use protección respiratoria aprobada por NIOSH (Instituto Nacional de Seguridad y Salud en el Trabajo) u OSHA (Administración de Seguridad y Salud en el Trabajo) apropiada para la exposición al polvo. Dirija las partículas en dirección contraria a la cara y el cuerpo.

⚠ADVERTENCIA: Siempre lleve la debida protección auditiva personal en conformidad con ANSI S12.6 (S3.19) durante el uso de esta herramienta. Bajo algunas condiciones y duraciones de uso, el ruido producido por este producto puede contribuir a la pérdida auditiva.

- La etiqueta de su herramienta puede incluir los siguientes símbolos. A continuación se indican los símbolos y sus definiciones:

V.....voltios	A.....amperios
Hz.....hertz	W.....vatios
minminutos	~ o AC.....corriente alterna
==== o DC....corriente directa	⎓ o AC/DCcorriente alterna o directa
⚠.....Construcción de Clase I	n ₀velocidad sin carga
.....(tierra)	n.....velocidad nominal
☐.....Construcción de Clase II	⊕.....terminal de conexión a tierra
.....(doble aislamiento)	⚠.....símbolo de advertencia de
.../minpor minutoseguridad
IPM.....impactos por minuto	BPM.....golpes por minuto
sfpm.....pies de superficie por minuto	RPM.....revoluciones por minuto
SPM.....pasadas por minuto		

Dispositivo contra astillas (Fig. 8)

NOTA: No use el dispositivo contra astillas con la hoja de corte al ras.

El dispositivo contra astillas (J) se debería utilizar cuando intente minimizar las rasgaduras, especialmente cuando corte superficies enchapadas, laminadas o terminadas, como aquellas que son pintadas. El dispositivo contra astillas debería ser instalado en la cubierta protectora de la base (I). Si no se usa la cubierta protectora de la base, instale el dispositivo contra astillas en la base (F).

OPERACIÓN

▲ADVERTENCIA: Para reducir el riesgo de lesiones personales graves, apague la herramienta y desconéctela de la fuente de alimentación antes de instalar y retirar accesorios, ajustar o cambiar configuraciones o realizar reparaciones. Un arranque accidental podría causar lesiones.

Corte

▲ADVERTENCIA: La sierra vaivén no debería operarse si no tiene puesta la base. De lo contrario, podría resultar en lesiones corporales serias.

CORTES DE ORIFICIOS (FIG. 10)

Un corte de orificio es un método sencillo para hacer un corte interior. La sierra se puede insertar directamente en el panel o tabla sin antes perforarlo para guiar el corte. En los cortes de orificio, mida la superficie a cortar y márquela claramente con un lápiz. Luego incline la sierra hacia adelante hasta que el extremo delantero de la base quede firmemente sentada sobre la superficie de trabajo y la hoja sea capaz de cortar el grosor completo con una oscilación completa. Encienda la herramienta y deje que alcance su velocidad máxima. Sostenga firmemente la sierra y baje el borde posterior de la herramienta lentamente, hasta que la hoja alcance el máximo de profundidad. Sostenga la base al ras de la madera y comience a cortar. No retire la hoja del corte mientras se siga moviendo. La hoja debe detenerse por completo.

CORTE AL RAS (FIG. 9)

Un corte al ras es necesario cuando se terminen cortes que irán contra una pared u obstáculo, como un respaldo. Una de las formas más sencillas de hacer el corte al ras es usando una hoja para cortes al ras (DT2074). La hoja para cortes al ras ofrece el alcance necesario para cortar hasta el borde delantero de la base de la sierra de vaivén. Retire el dispositivo contra astillas y regrese la base a la posición de tope en 0° positivo antes de instalar y utilizar la hoja de corte al ras. Para un corte de mejor calidad, la hoja de corte al ras debería ser utilizada en la posición 0 u orbital 1. La hoja de corte al ras no debería ser utilizada para iniciar el corte porque este tipo de hoja no permite que la base sea respaldada por la superficie de trabajo. Siga las prácticas para cortar madera detalladas más abajo.

CORTE DE MADERA

En todo momento, sostenga correctamente la pieza de trabajo. Use la velocidad mayor para cortar madera. No intente girar la herramienta cuando la hoja esté contra el material a cortar. Esto podría estancar el motor. Coloque la parte delantera de la base en el material al cortar y sostenga la base de la sierra de vaivén firmemente contra la madera mientras la corte. No fuerce la herramienta; deje que la hoja corte a su propia velocidad. Cuando el corte esté completo, apague la sierra de vaivén. Deje que la hoja se detenga completamente y luego ponga la sierra a un lado antes de liberar la pieza.

CORTE DE METALES

Cuando corte láminas de metal, es mejor si sujeta una pieza de madera a la parte de abajo de la lámina; esto asegurará que se haga un corte limpio sin riesgo de vibración o rasgadura del metal. Siempre recuerde usar una hoja más fina para metales ferrosos (para aquellos que contengan mucho hierro); y use una hoja más gruesa para metales no ferrosos (que no contienen hierro). Use la velocidad mayor para cortar metales blandos (aluminio, cobre, latón, acero suave, cañería galvanizada, ductos de láminas de metal, etc.). Use la velocidad menor para cortar plásticos, azulejos, superficies laminadas, metales duros y hierro fundido.

MANTENIMIENTO

▲ADVERTENCIA: Para reducir el riesgo de lesiones personales graves, apague la herramienta y desconéctela de la fuente de alimentación antes de instalar y retirar accesorios, ajustar o cambiar configuraciones o realizar reparaciones. Un arranque accidental podría causar lesiones.

Limpieza

▲ADVERTENCIA: Sople la suciedad y el polvo de todos los conductos de ventilación con aire seco, al menos una vez por semana. Para reducir el riesgo de lesiones, utilice siempre protección para los ojos aprobada ANSI Z87.1 al realizar esta tarea.

▲ADVERTENCIA: Nunca utilice solventes ni otros químicos abrasivos para limpiar las piezas no metálicas de la herramienta. Estos productos químicos pueden debilitar los materiales plásticos utilizados en estas piezas. Utilice un paño humedecido sólo con agua y jabón neutro. Nunca permita que penetre líquido dentro de la herramienta ni sumerja ninguna de las piezas en un líquido.

Lubricación

NOTA: NUNCA rocíe o aplique en ninguna otra forma lubricantes o solventes de limpieza dentro de la herramienta. Esto puede afectar seriamente la duración y el desempeño de la herramienta. Las herramientas DEWALT vienen debidamente lubricadas de la fábrica y están listas para usarse. Sin embargo, se recomienda que una vez al año un lleve o envíe la herramienta a un centro de servicio certificado para una inspección y limpieza a fondo.

Accesorios

▲ADVERTENCIA: Debido a que no se han probado con este producto otros accesorios que no sean los que ofrece DEWALT, el uso de dichos accesorios con esta herramienta podría ser peligroso. Para reducir el riesgo de lesiones, con este producto deben usarse sólo los accesorios recomendados por DEWALT.

Los accesorios que se recomiendan para utilizar con la herramienta están disponibles a un costo adicional en su distribuidor local o en un centro de mantenimiento autorizado. Si necesita ayuda para localizar algún accesorio, póngase en contacto con DEWALT Industrial Tool Co., 701 East Joppa Road, Baltimore, MD 21286, llame al 1-800-4-DEWALT (1-800-433-9258) o visite nuestro sitio Web: www.dewalt.com.

NOTA: La hoja para corte al ras DT2074 sólo puede utilizarse con las sierras de vaivén DEWALT DW331 y DC330.

ADAPTADOR PARA ASPIRADORAS Y GUARDERA (OPCIONAL)

La colección de astillas sólo funciona cuando se conecta una aspiradora de taller a la unidad por medio del adaptador para aspiradoras (N). Para lograr la colección de astillas más eficiente, la guardera (O) debería instalarse en la parte de adelante de la unidad (Fig. 11).

NOTA: La sierra de vaivén debe estar en la posición de tope 0° positivo antes de instalar la guardera.

Para instalar el adaptador para aspiradoras, inserte el adaptador de aspiradoras (N) a la parte posterior de la base de la sierra de vaivén (F). El adaptador para aspiradoras encajará en su lugar.

Para quitar el adaptador para aspiradoras, empuje la lengüeta del adaptador (P) hacia adentro y retírelo.

Para instalar la guardera (O), presiónela contra la parte de adelante de la sierra de vaivén. Observe que la base debe estar en la posición de tope 0° positivo para conectar y usar la guardera.

Para quitar la guardera, tire de ella de un lado por vez.

Reparaciones

Para asegurar la SEGURIDAD y la CONFIABILIDAD del producto, las reparaciones, el mantenimiento y los ajustes deben (inclusive inspección y cambio de carbones) ser realizados en un centro de mantenimiento en la fábrica DEWALT, en un centro de mantenimiento autorizado DEWALT u por otro personal de mantenimiento calificado. Utilice siempre piezas de repuesto idénticas.

PARA REPARACIÓN Y SERVICIO DE SUS HERRAMIENTAS ELÉCTRICAS, FAVOR DE DIRIGIRSE AL CENTRO DE SERVICIO MÁS CERCANO

CULIACAN, SIN

Bvld.Emiliano Zapata 5400-1 Poniente
Col. San Rafael

(667) 717 89 99

GUADALAJARA, JAL

Av. La Paz #1779 - Col. Americana Sector Juárez

(33) 3825 6978

MEXICO, D.F.

Eje Central Lázaro Cárdenas No. 18
Local D, Col. Obrera

(55) 5588 9377

MERIDA, YUC

Calle 63 #459-A - Col. Centro

(999) 928 5038

MONTERREY, N.L.

Av. Francisco I. Madero 831 Poniente - Col. Centro

(818) 375 23 13

PUEBLA, PUE

17 Norte #205 - Col. Centro

(222) 246 3714

QUERETARO, QRO

Av. San Roque 274 - Col. San Gregorio

(442) 2 17 63 14

SAN LUIS POTOSI, SLP

Av. Universidad 1525 - Col. San Luis

(444) 814 2383

TORREON, COAH

Bvld. Independencia, 96 Pte. - Col. Centro

(871) 716 5265

VERACRUZ, VER

Prolongación Díaz Mirón #4280 - Col. Remes

(229) 921 7016

VILLAHERMOSA, TAB

Constitución 516-A - Col. Centro

(993) 312 5111

PARA OTRAS LOCALIDADES:

Si se encuentra en México, por favor llame al (55) 5326 7100

**Si se encuentra en U.S., por favor llame al
1-800-433-9258 (1-800 4-DEWALT)**

Póliza de Garantía

IDENTIFICACIÓN DEL PRODUCTO:

Sello o firma del Distribuidor:

Nombre del producto: _____ Mod./Cat.: _____

Marca: _____ Núm. de serie: _____

(Datos para ser llenados por el distribuidor)

Fecha de compra y/o entrega del producto: _____

Nombre y domicilio del distribuidor donde se adquirió el producto:

Este producto está garantizado por un año a partir de la fecha de entrega, contra cualquier defecto en su funcionamiento, así como en materiales y mano de obra empleados para su fabricación. Nuestra garantía incluye la reparación o reposición del producto y/o componentes sin cargo alguno para el cliente, incluyendo mano de obra, así como los gastos de transportación razonablemente erogados derivados del cumplimiento de este certificado.

Para hacer efectiva esta garantía deberá presentar su herramienta y esta póliza sellada por el establecimiento comercial donde se adquirió el producto, de no contar con ésta, bastará la factura de compra.

EXCEPCIONES

Esta garantía no será válida en los siguientes casos:

- Cuando el producto se hubiese utilizado en condiciones distintas a las normales;
- Cuando el producto no hubiese sido operado de acuerdo con el instructivo de uso que se acompaña;
- Cuando el producto hubiese sido alterado o reparado por personas distintas a las enlistadas al final de este certificado.

Anexo encontrará una relación de sucursales de servicio de fábrica, centros de servicio autorizados y franquiciados en la República Mexicana, donde podrá hacer efectiva su garantía y adquirir partes, refacciones y accesorios originales.

Registro en línea

Gracias por su compra. Registre su producto ahora para:

- **SERVICIO EN GARANTÍA:** Si completa esta tarjeta, podrá obtener un servicio en garantía más eficiente, en caso de que exista un problema con su producto.
- **CONFIRMACIÓN DE PROPIEDAD:** En caso de una pérdida que cubra el seguro, como un incendio, una inundación o un robo, el registro de propiedad servirá como comprobante de compra.
- **PARA SU SEGURIDAD:** Si registra el producto, podremos comunicarnos con usted en el caso improbable que se deba enviar una notificación de seguridad conforme a la Federal Consumer Safety Act (Ley Federal de Seguridad de Productos para el Consumidor).

Registro en línea en www.dewalt.com/register.

Garantía limitada por tres años

DEWALT reparará, sin cargo, cualquier falla que surja de defectos en el material o la fabricación del producto, por hasta tres años a contar de la fecha de compra. Esta garantía no cubre fallas de las piezas causadas por su desgaste normal o abuso a la herramienta. Para mayores detalles sobre la cobertura de la garantía e información acerca de reparaciones realizadas bajo garantía, visítenos en www.dewalt.com o diríjase al centro de servicio más cercano. Esta garantía no aplica a accesorios o a daños causados por reparaciones realizadas o intentadas por terceros. Esta garantía le otorga derechos legales específicos, además de los cuales puede tener otros dependiendo del estado o la provincia en que se encuentre.

Además de la garantía, las herramientas DEWALT están cubiertas por:

1 AÑO DE SERVICIO GRATUITO

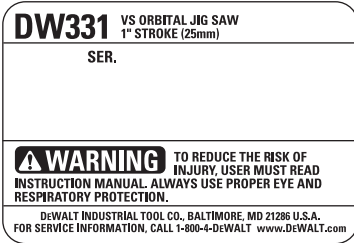
DEWALT mantendrá la herramienta y reemplazará las piezas gastadas por su uso normal, sin cobro, en cualquier momento durante un año a contar de la fecha de compra. Los artículos gastados por la clavadora, tales como la unidad de hoja y retorno del impulsador, no están cubiertas.

GARANTÍA DE REEMBOLSO DE SU DINERO POR 90 DÍAS

Si no está completamente satisfecho con el desempeño de su máquina herramienta, láser o clavadora DEWALT, cualquiera sea el motivo, podrá devolverlo hasta 90 días de la fecha de compra con su recibo y obtener el reembolso completo de su dinero – sin necesidad de responder a ninguna pregunta.

AMÉRICA LATINA: Esta garantía no se aplica a los productos que se venden en América Latina. Para los productos que se venden en América Latina, debe consultar la información de la garantía específica del país que viene en el empaque, llamar a la compañía local o visitar el sitio Web a fin de obtener esa información.

REEMPLAZO GRATUITO DE LAS ETIQUETAS DE ADVERTENCIAS: Si sus etiquetas de advertencia se vuelven ilegibles o faltan, llame al 1-800-4-DEWALT (1-800-433-9258) para que se le reemplacen gratuitamente.



Especificaciones

	DW331
Tensión de alimentación:	120 V CA~
Consumo de corriente:	6.5 A
Frecuencia de operación:	50/60 Hz
Potencia nominal:	702 W
Rotación sin carga:	500-3 100 spm

SOLAMENTE PARA PROPÓSITO DE MÉXICO:
IMPORTADO POR: DEWALT INDUSTRIAL TOOL CO. S.A. DE C.V.
AVENIDA ANTONIO DOVALI JAIME, # 70 TORRE B PISO 9
COLONIA LA FE, SANTA FÉ
CÓDIGO POSTAL : 01210
DELEGACIÓN ALVARO OBREGÓN
MÉXICO D.F.
TEL. (52) 555-326-7100
R.F.C.: BDE810626-1W7

Para servicio y ventas consulte
**"HERRAMIENTAS ELECTRICAS"
en la sección amarilla.**

